

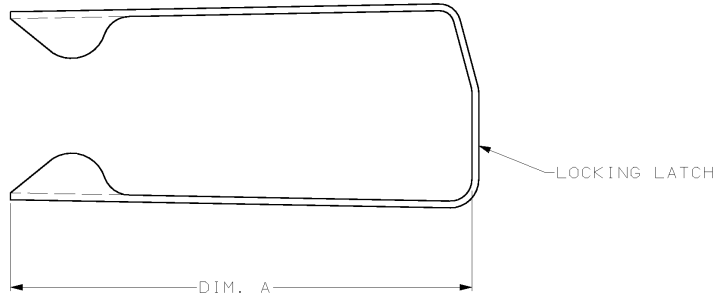
LOC	DIST	REVISIONS			
P	LTR	DESCRIPTION	DATE	OWN	APVD
AA	20				
D		REVISED PER EC 0515-0213-03	26AUG03	DD	RM

D

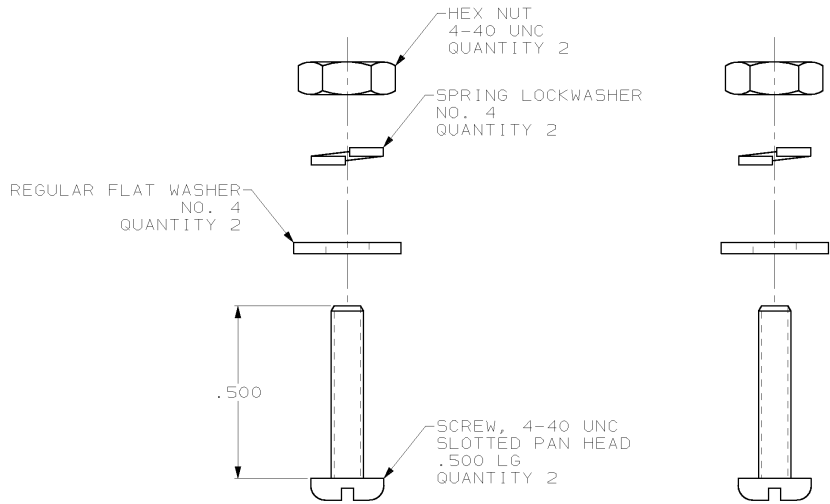
C

B

A



- ⚠ MATERIAL: SCREW, WASHER, LOCKWASHER AND NUT - ZINC PLATED STEEL.
LATCH - PASSIVATED STAINLESS STEEL.
- 2. ALL DIMENSIONS SHOWN ARE FOR REFERENCE ONLY, UNLESS OTHERWISE SPECIFIED.
- 3. THIS KIT SHIPPED UNASSEMBLED.



D

C

B

A

553359

.857	14 & 24	553359-2
1.338	36 & 50	553359-1
DIM. A	POSITION	PART NUMBER

THIS DRAWING IS A CONTROLLED DOCUMENT.		DRN	26AUG2003	AMP	TYCO Electronics	
		DL DRUMMOND	26AUG2003		Harrisburg, PA 17105-3608	
		DRP	26AUG2003	HARDWARE KIT, PANEL MOUNTING, CHAMP-LOK		
		RP McCRAW	26AUG2003			
		RP McCRAW	26AUG2003			
		RP McCRAW	26AUG2003			
DIMENSIONS:	TOLERANCES UNLESS OTHERWISE SPECIFIED:	PRODUCT SPEC		SIZE	CAGE CODE (DRAWING NO)	RESTRICTED TO
INCHES				A2	00779	553359
0 PLC	±			WEIGHT		
1 PLC	±			CUSTOMER DRAWING	SCALE	SHEET
2 PLC	±				4:1	1 OF 1
3 PLC	±					REV
4 PLC	±					D
ANGLE	±					